



MAGNETIC WALL PANELS FITTING INSTRUCTIONS

Please read the following information carefully before you begin installing your Magnetik wall panels.

GETTING STARTED

Safety equipment required:

- Safety goggles
- Gloves
- Ear protection
- Hard hat

Tools & materials required:

- Pencil
- Spirit level
- Measuring tape
- Jig saw / hand saw / circular saw
- Folding saw horses
- Pair of clamps
- Grab adhesive
- Colour matched sealant
- Slip feathers
- Magnetic wall panels
- Silicone sealant
- Timber
- Screws
- Rawl plugs
- Cloths & solvent

Optional extras

- Extrusions
- Button fix (for removable)
- Button fix markers
- Dry wipe markers
- Dry wipe cleaning solution
- Microfibre cloth for cleaning

PANEL PREPARATION

- Panels should be stored flat and left for a minimum of 48 hours in the environment they are to be installed in. This is to ensure the panels climatise to their environment, preventing any unwanted movement once installed.
- Each panel should be checked to make sure the protective film has not been broken and that panels are not damaged. Any damages to the decorative face must be reported immediately. Rearo cannot be held responsible for panels not being checked prior to installation.
- Check through the lists to the left to make sure you have everything you need to install the wall panels.

WALL PREPARATION

- Rearo Magnetik wall panels can be installed onto plasterboard, timber frame, metal frame and tiles.
- It is essential that walls are completely dry before installing the panels and any source of dampness is treated.
- There is no need to make good the surface to be covered.
- Wherever possible, remove existing wall coverings such as wall paper and fabrics.
- If installing on top of tiles, make sure the tiles are scored with a sharp knife and sanded to allow for an abrasive surface for the adhesive to effectively bond to.
- If installing onto a timber frame, you can use panel adhesive as well as button fix clips to ensure panels are secured properly in place.
- We do not recommend fixing panels to masonry or cement surfaces.

CALCULATING PANEL QUANTITIES

- Panels should not be exposed to moisture or water, direct sunlight, hot air currents or direct exposure to heat exceeding 70°C.

To estimate the total number of panels required:

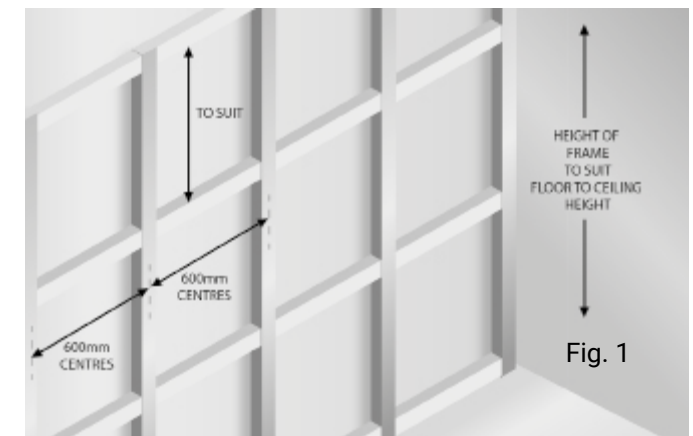
- Measure the total linear metrage of the walls.
- Divide this by 1.2m (width of the panel).
- Round up to the nearest whole number for total panel quantity.

This method utilises all panel offcuts, so take care when cutting panels as the offcut will be next to be installed.

CUTTING & FITTING

Fitting to a Timber Frame

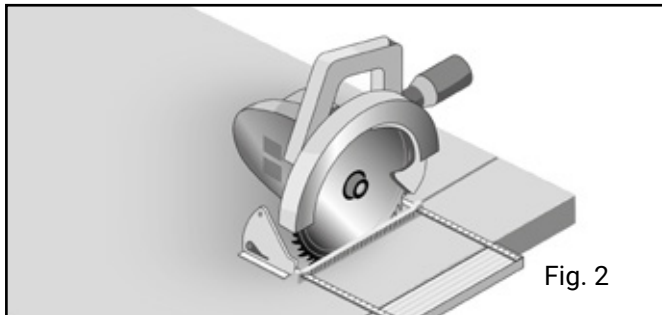
- The timber frame should be installed with vertical timbers at 600mm centres to provide fixing points for clips and adhesives, as well as horizontal timbers at 600mm - 900mm centres, packed out to a true, flat and plumb surface. (see fig.1)



- Always ensure timbers are installed at the top and bottom of the panels. Additional timbers must be used where heavy items such as cabinetry are to be fixed, to ensure adequate support is provided. **Using the panel alone may not be sufficient enough.**
- Fixing using panel adhesive is recommended, and ensures panels will be fixed in place and non-removable.
- Fixing using button fix clips allows panels to be removable.

Cutting Panels

- When cutting panels, careful thought must be given to the type of saw that will be used, as well as the panel orientation, to prevent the decorative face from chipping.
- When using a jig saw / circular saw with an upward cutting blade, panels should be cut from the back, with the decorative face pointing towards the floor. See fig. 2



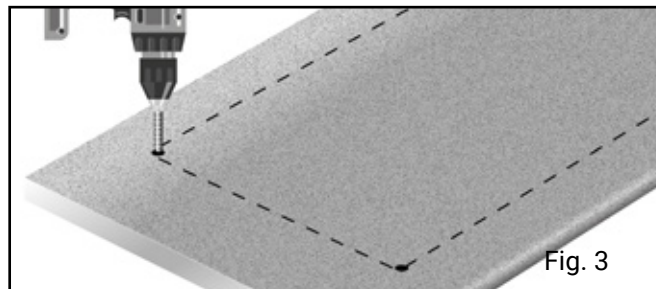
For best results:

- The protective film should be removed from the cutting line only and where possible apply masking tape along the line of cut.

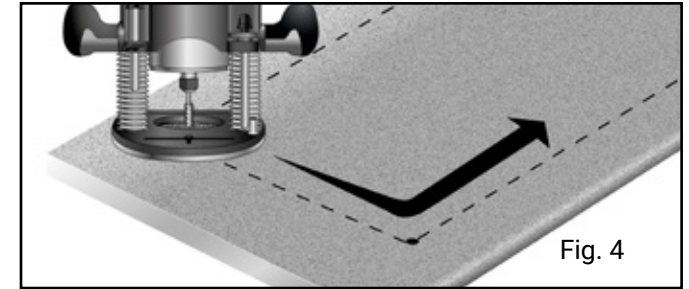
- The recommended method for cutting is by clamping a straight edge to the panel and using a circular/ track saw. See fig. 2

CUTTING APERTURES

- Although wall panels have a highly durable finish, care should be taken when cutting apertures or inspection hatches. Internal corners of apertures and cut outs MUST always be smoothly radiused to as large as possible, with a 5mm minimum radius. This radius should be increased as the side lengths of the aperture are increased.
- Place the panel face up. Using masking tape, a pencil and measuring tape, mark out the cut out area.
- When measuring distance from walls, allowances should be made for the thickness of aluminium profiles and the space between walls and profiles.
- Ensure your fitting overlaps the aperture cut out.
- Ensure wooden blocks are placed below your drilling areas to prevent 'burst out'. See fig. 3



- Drill holes at each of the four corners, large enough to fit your jig saw blade.
- Using a jig saw with a downward cutting blade, slowly cut around perimeter of the shape, taking care to cut through each of the drill holes. See fig. 4



INSTALLING PANELS

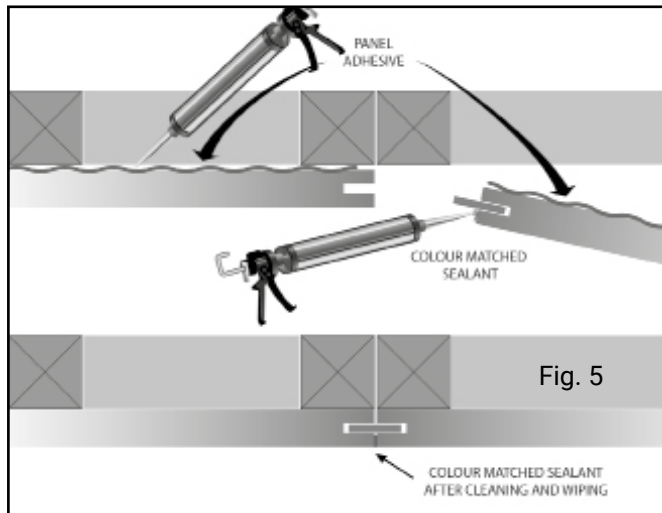
- Measure the height from the floor to the ceiling at 300mm intervals and mark these accordingly on the panel.
- Draw cutting line and cut to suit.
- Panels should always be dry fitted, to ensure the size and fit is as required.
- Once you are happy with the panel size, fix the first panel in place, using whichever method suits your install (panel adhesive or button fix clips).

If installing using button fix clips, please scan the QR code below.



The same process is required for the **remaining panels**:

- Measure the floor to ceiling size again at 300mm centres from the end of the first panel installed and mark up accordingly on the second panel.
- Cut to size and dry fit this panel in place, prior to final install, ensuring the slip feather has been fitted in the groove to provide a tight join. See fig. 5



- When fitting this second panel in situ, apply a bead of colour matched sealant along the length of the grooved edge, so when the panels are joined tightly together, the excess sealant will squeeze out.
- Wipe off this excess sealant and wipe panel clean with a damp cloth - this sealant will set within 15 minutes, so if excess sealant is left on longer than this, a solvent will be required to remove it.



FURTHER GUIDANCE

Should you have any further queries relating to the installation of Rearo magnetik wall panels, please get in touch with our commercial business support team.

E: commercial@rearo.co.uk

T: 0141 440 0800

Available during the following hours:

8:00am - 4:30pm (Monday to Thursday)

8:00am - 3:30pm (Friday)

Closed (Saturday & Sunday)

Magnetic Wall Panels aftercare sheet

PLEASE ADHERE TO THE FOLLOWING GUIDES TO ENSURE OUR PRODUCT GUARANTEE

Remove this page and use magnets provided to inform end users how to clean and maintain Magnetic wall panels. Failure to do so will void warranty of these panels.

Rearo Magnetic boards are suitable for marking with whiteboard markers (not permanent markers). Should you have accidentally used a permanent marker, Rearo can provide you with a permanent marker removal cleaner – this will not completely remove the marker ink, however it will help reduce its visibility.

We recommend trying new pens on a small corner or offcut of the panel, and cleaning off to ensure these will not permanently stain. Rearo can also provide a whiteboard cleaner which should be used regularly to maintain the panels in a good, clean condition.

How to clean Magnetic panels

Use Rearo's peelable board eraser, which can be ordered from commercial@rearo.co.uk

We recommend using our own Magnetic Board cleaner. Alternatively, we suggest cleaning periodically using a soft cloth, mild dishwashing detergent and warm water.

To avoid leaving marks, always remove the detergent, rinse and dry well. If using a detergent or a solvent you are unfamiliar with, we advise first testing it on a small, less visible portion of the surface.

Do not use detergents that contain strong acids or bases, such as descalers with formic acid and aminosulphonic acid, drain cleaner, hydrochloric acid, products used for cleaning silver, oven cleaner or bleaches.

Do not use abrasive pads or scouring powders and cleansers, as they may permanently dull or scratch the laminate surface, making it susceptible to staining. Harsh chemicals such as oven cleaner, toilet cleaner, drain cleaner, and acid and alkali chemicals will etch and discolour the decorative surface.

Rags, sponges, paper towels and all cleaning utensils must always be clean and non-abrasive.

When using organic solvents, wear protective gloves, air out the environment and comply with ordinary practices for safety and hygiene (request the safety data sheet for the solvent from the supplier).

Do not polish or wax the panels.

Rearo offer the following recommended accessories:

- Whiteboard pens
- Peelable board eraser
- Whiteboard cleaner
- Microfibre cloths for cleaning
- Permanent marker pen removal cleaner

There is no guarantee that Rearo Magnetic panels can be cleaned to be completely free of residue or markings – this is because the use and quality of marker pen is beyond our control. Please check the recommendations by the manufacturer of the marker pen before use.



Additional copies of this document can be found online at www.rearocommercial.co.uk

Please tear here and apply to panel post installation



REARO[®]

COMMERCIAL SURFACES

29 Loanbank Quadrant, Govan, Glasgow, G51 3HZ

E: commercial@rearo.co.uk T: 0141 440 0800

www.rearocommercial.co.uk